

# THOR

## THOR 15-900 kVA

High-performance three-phase modular UPS for absolute continuity in all critical applications

Fully scalable and high efficiency (99.6% in ECO mode), the Thor series based on 15, 25 and 75 kVA/kW modules guarantees energy saving and minimum TCO (Total Cost of Ownership).

### Applications

- Data centres: from micro to large
- Network Operations Centres (NOC)
- Security operations centres
- Telecommunications systems
- Broadcast and video streaming infrastructure
- Industrial automation control systems
- Remote teaching infrastructure
- Healthcare facilities

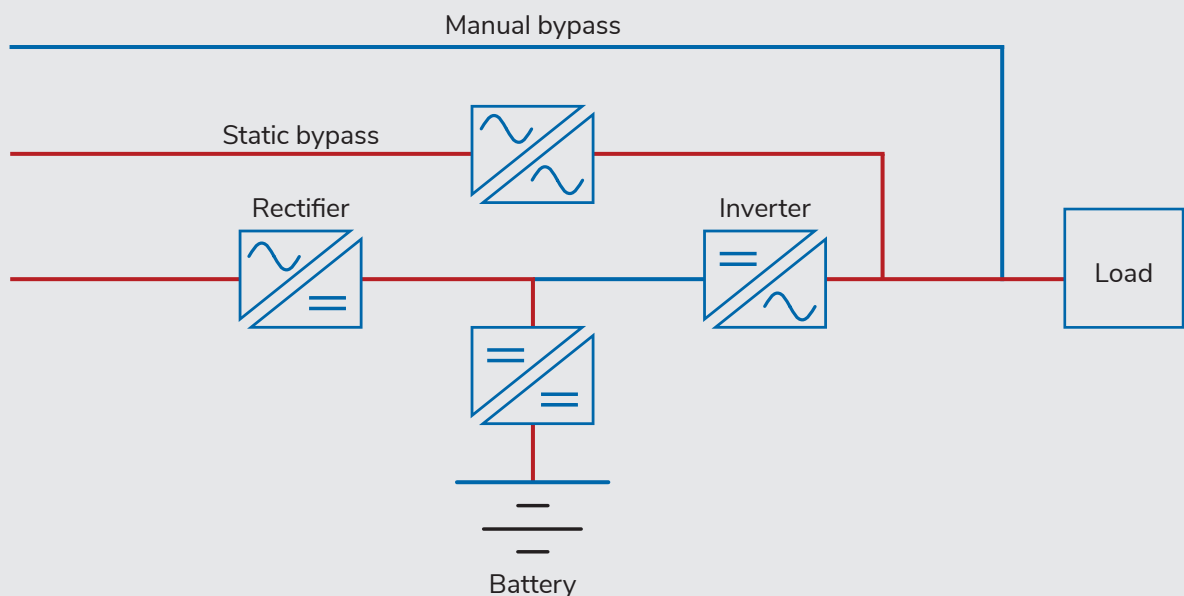
### Energy Saver: higher efficiency and lower TCO (Total Cost of Ownership)

The Energy Saver function ensures the modules last a long time by automatically making them work in rotation to balance component wear and increase their life.

### ECO Smart mode: higher energy savings and maximum availability of connected systems

In ECO Smart Mode (iECO), the bypass and inverter work together to provide combined energy.

This can achieve greater efficiency (up to 99.3) and ensure a transfer time of 0.



# THOR

- The high-density design with full hot-swap technology for both power and bypass modules ensures continuity and protects your load at all times.
- Power factor of 1 (kW = kVA): maximum active power available at all times.
- Very high efficiency (up to 99.3% in ECO Smart mode) for maximum energy saving: bypass and inverter work together to provide combined energy to the load and ensure zero transfer time in the event of a blackout.
- Up to 4 units can be connected in parallel (up to 3.6 MW) for power or redundancy.
- Long component life for a lower TCO (Total Cost of Ownership): the Energy Saver function automatically makes the power modules work in rotation to ensure greater efficiency and duration.
- Designed to minimise impact on generators and avoid overdimensioning them.
- Optimised footprint for maximum installation versatility to make installation possible in any type of environment.
- Easy installation thanks to the central bypass that ensures better load balance and lower risk of system overload.
- Variable battery string configuration can be set from the LCD for maximum installation flexibility.
- Minimum battery voltage can be set according to the discharge current, so the batteries can always be used in the best way to maximise their expected or lifespan life.
- High quality long-life capacitors (up to 10 years under favourable operating conditions).
- Cold start function included.
- Compatible with lithium-ion batteries or other technologies.
- Dual input for main power supply and bypass.
- Internal manual bypass.
- User-friendly LCD touch display with multi-language graphical user interface to have everything under control at all times.
- Event log can be downloaded directly from the LCD via USB port.
- Communication slots for optional card.
- RS485-ModBus, relay card with dry contact and USB port built-in.

## Key options

- Input, output and bypass breaker.
- Communication cards: Web SNMP.
- Isolation transformer.
- Additional battery charger for long uptimes.

Contact our offices for a complete list of accessories

## 60 kVA

### Combo solution

- Up to 4 internal strings of 40 x 9 Ah batteries.
- Fuses to protect each string.

# THOR

## Accessories

### Three-phase modular UPS

#### DUMMY LOADS FOR GLM FUNCTION

<b>DUMMY 10:</b> dummy load for lift function 3 kW for TAURUS 10kVA.
<b>DUMMY 20:</b> dummy load for lift function 6 kW for TAURUS 20kVA.
<b>DUMMY 30:</b> dummy load for lift function 9 kW for TAURUS 30kVA.
<b>DUMMY 40:</b> dummy load for lift function 12 kW for TAURUS 40kVA.
<b>DUMMY 60:</b> dummy load for lift function 18 kW for TAURUS 60kVA.
<b>DUMMY 80:</b> dummy load for lift function 24 kW for TAURUS 80kVA.

**REMOTE PANEL** for Kronos, Taurus and all single phase double conversion, Monitor up to 64 UPS

#### COMMUNICATION CARDS

<b>MD-SNMP:</b> SNMP Card for THOR
<b>SNMP GEN Mini:</b> SNMP Generex CS141 mini
<b>TEMPEXT-TH:</b> External Battery Temperature Probe

#### INPUT BARS

<b>DUAL-TH-R30:</b> single source 30kVA
<b>DUAL-TH-R60:</b> single source 60kVA
<b>DUAL-TH-R120:</b> single source 120kVA
<b>DUAL-TH-R450:</b> single source 450kVA
<b>DUAL-TH-R600:</b> single source 600kVA
<b>DUAL-TH-R900:</b> single source 900kVA

#### PARALLEL KIT

<b>PARKIT2-TH:</b> Parallel Kit for 2 pcs UPS parallel
<b>PARKIT3-TH:</b> Parallel Kit for 3 pcs UPS parallel
<b>PARKIT4-TH:</b> Parallel Kit for 4 pcs UPS parallel

#### DISCONNECTORS

<b>BR-TH-R30:</b> Input/ bypass/output braeker for TH-R30. Dim. 442x800x662
<b>BR-TH-R60:</b> Input/ bypass/output braeker for TH-R60. Dim. 442x800x840
<b>BR-THCOMBO-R30:</b> Input/ bypass/output braeker for combo 30KVA. Dim. 442x800x662
<b>BR-THCOMBO-R60:</b> Input/ bypass/output braeker for combo 60KVA. Dim. 442x800x840
<b>BR-TH-R150:</b> Input/ bypass/output braeker for 150KVA. Dim. 600x1000x1600
<b>BR-TH-R250:</b> Input/ bypass/output braeker for 250KVA. Dim. 600x1000x2000
<b>BR-TH-R450:</b> Input/ bypass/output braeker for 450KVA. Dim. 1200x1000x2000
<b>BR-TH-R600:</b> Input/ bypass/output braeker for 600KVA. Dim. 1200x1000x2000
<b>BR-TH-R900:</b> Input/ bypass/output braeker for 900KVA. Dim. 1800x1000x2000

**High-performance  
three-phase UPS for absolute  
continuity in all critical applications**



# THREE-PHASE UPS

